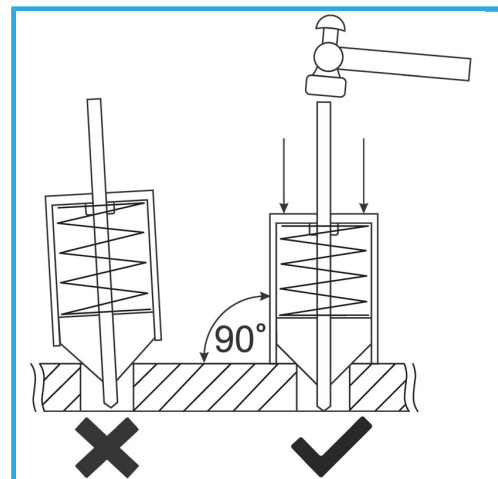


FOR CENTRING WITHIN EXISTING BORES, THE SPRING-LOADED,  
CONICAL FRONT PROVIDES ACCURATE CENTRING.



<b>Length</b>	82 mm
<b>Hole diameter</b>	Ø5 - Ø15 mm
<b>Gross weight</b>	0,12 kg
<b>EAN Code</b>	8012667408268



Box



Steel