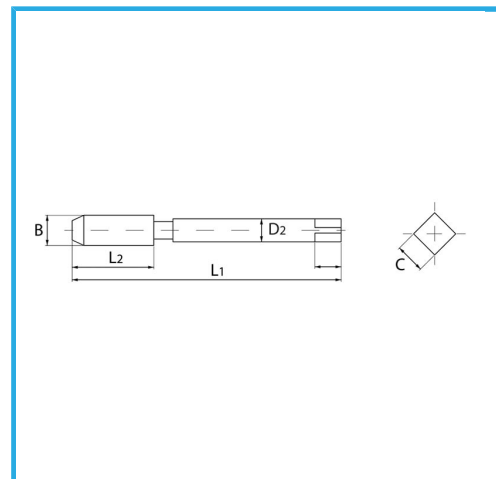
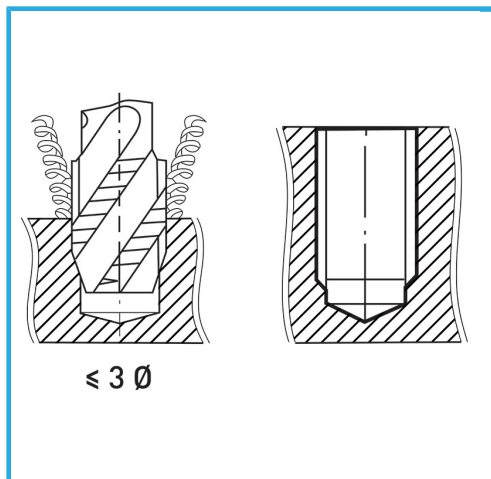


ISOMETRIC THREAD COARSE PITCH - REINFORCED SHANK, THE VAPORIZATION TREATMENT INCREASES THE SURFACE HARDNESS AND WEAR RESISTANCE...



| | |
|----------------------|---------------|
| B | M22 x 2,5 mm |
| L2 | 34 mm |
| L1 | 140 mm |
| D2 | 18 mm |
| C | 14.5 mm |
| Packaging dimensions | - |
| EAN Code | 8012667417291 |



Box



Vaporized



External