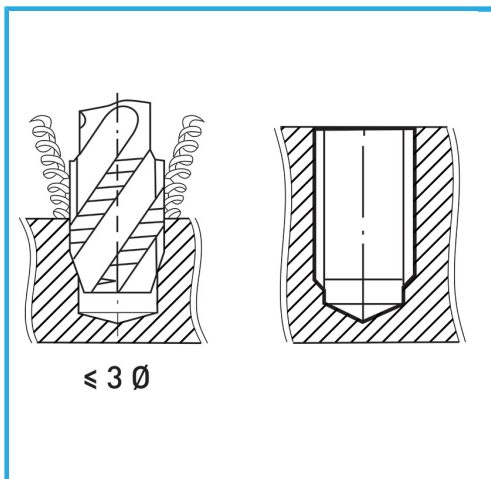


ISOMETRIC THREAD COARSE PITCH - REINFORCED SHANK, THE VAPORIZATION TREATMENT INCREASES THE SURFACE HARDNESS AND WEAR RESISTANCE...



B	M24 x 3 mm
L2	38 mm
L1	160 mm
D2	18 mm
C	14.5 mm
Packaging dimensions	165x32x32h mm
EAN Code	8012667417260



Box



Vaporized



HV=750



External



376/C