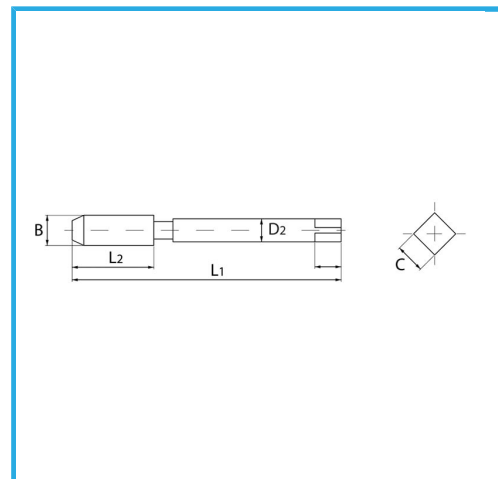
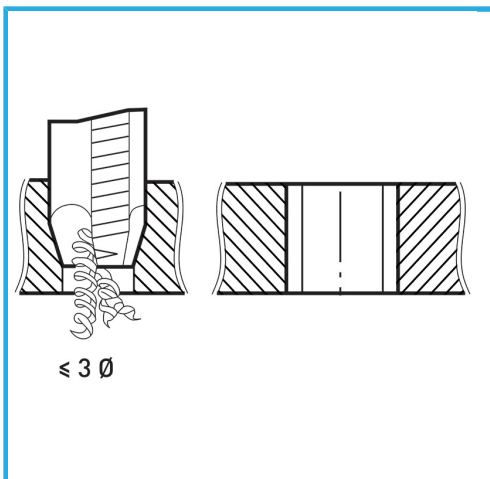


ART. M002/24V
MACHINE TAPS STRAIGHT FLUTE SPIRAL POINTED FOR THROUGH HOLES



ISOMETRIC THREAD COARSE PITCH. THE VAPORIZATION TREATMENT INCREASES THE SURFACE HARDNESS AND WEAR RESISTANCE BY REDUCING THE...



B	M24 x 3 mm
L2	38 mm
L1	160 mm
D2	18 mm
C	14.5 mm
Packaging dimensions	-
EAN Code	8012667416973



Box



Vaporized



HV=750



External



376/B