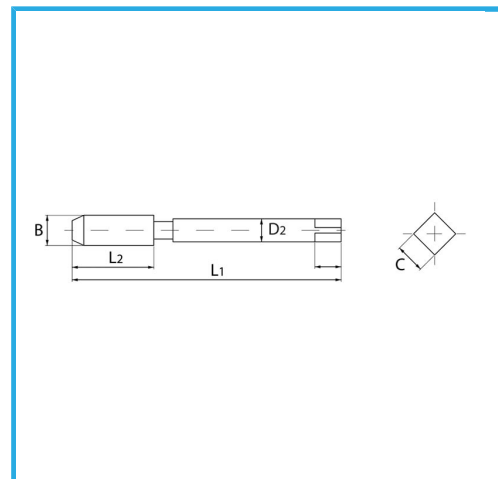
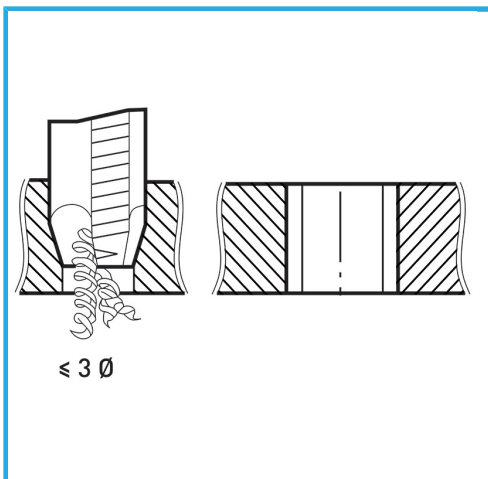


ART. M002/22V
MACHINE TAPS STRAIGHT FLUTE SPIRAL POINTED FOR THROUGH HOLES



ISOMETRIC THREAD COARSE PITCH. THE VAPORIZATION TREATMENT INCREASES THE SURFACE HARDNESS AND WEAR RESISTANCE BY REDUCING THE...



B	M22 x 2.5 mm
L2	34 mm
L1	140 mm
D2	18 mm
C	14.5 mm
Gross weight	0,27 kg
Packaging dimensions	145x32x32h mm
EAN Code	8012667417185



Box



Vaporized



HV=750



External



376/B