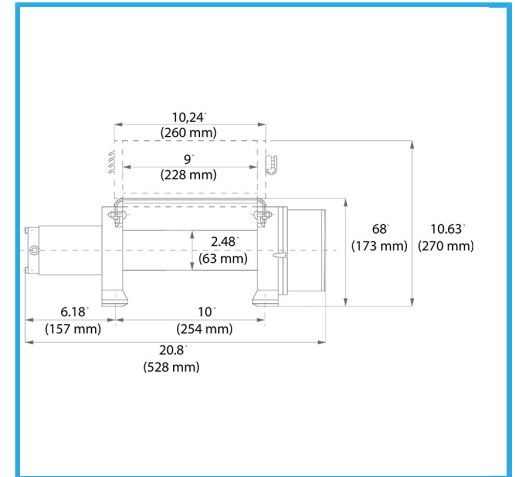


PERMANENT MAGNET MOTOR, METAL FRAME, STRONG CABLE, WITH ANTI UNWINDING DEVICE AND CABLE GUIDE. TO BE USED ONLY FOR HORIZONTAL...



<b>Rated line pull</b>	2720 kg
<b>Speed</b>	1,3 - 4,5 m / min
<b>Motor</b>	12 V 1,3 kW 1,8 hp
<b>Gear Reduction ratio</b>	294:1
<b>Cable size</b>	ø 7,2 mm x 32 m
<b>Drum dimensions</b>	ø 63 x 228 mm
<b>Overall dimensions</b>	520 x 180 x 175h mm
<b>Net weight</b>	29 kg
<b>Gross weight</b>	32,50 kg
<b>EAN Code</b>	8012667213619

