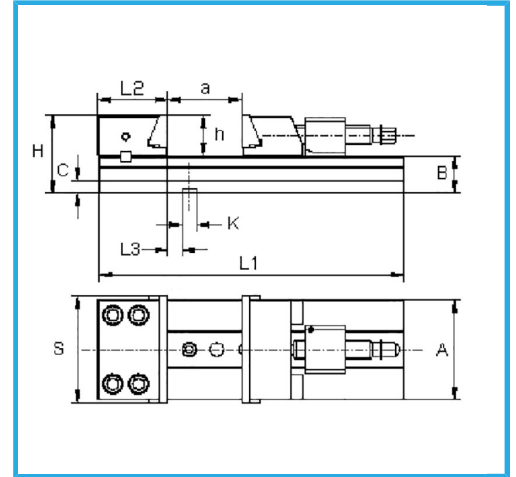
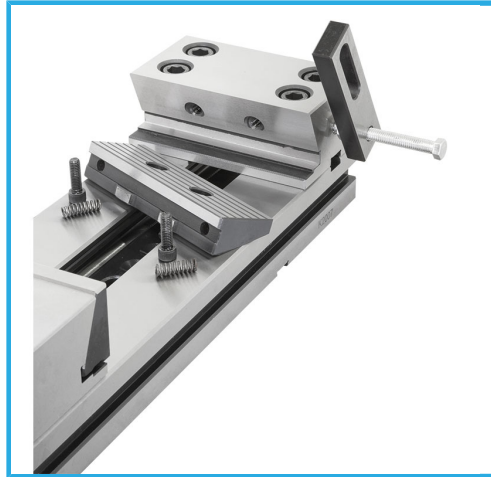
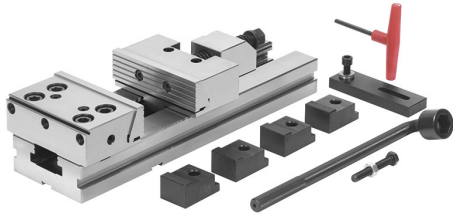


SUITABLE FOR JOBS WHERE PRECISION, RELIABILITY, AVAILABILITY AND SECURE LOCKING ARE REQUIRED. SUITABLE FOR PRECISION MILLING AND..



**Jaw dimensions**

S	150 mm
A	125 mm
B	50 mm
C	20 mm
H	100 mm
L1	620 mm
L2	89,4 mm
L3	25,6 mm
h	50 mm
K h7	16 mm
a	400 mm
<b>Net weight</b>	<b>34 kg</b>
<b>Gross weight</b>	<b>39,00 kg</b>
<b>EAN Code</b>	<b>8012667253967</b>



Wooden Box



Tempered



Grounded



Steel