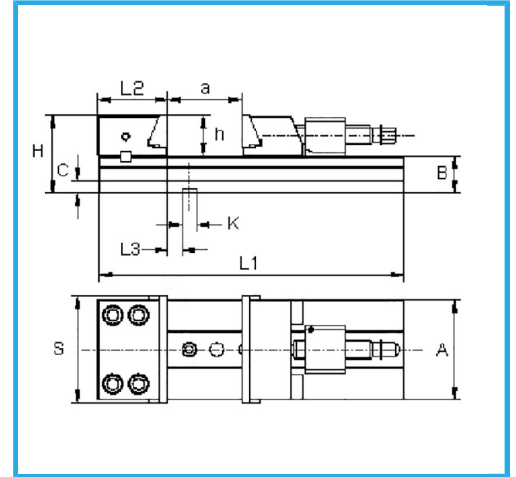
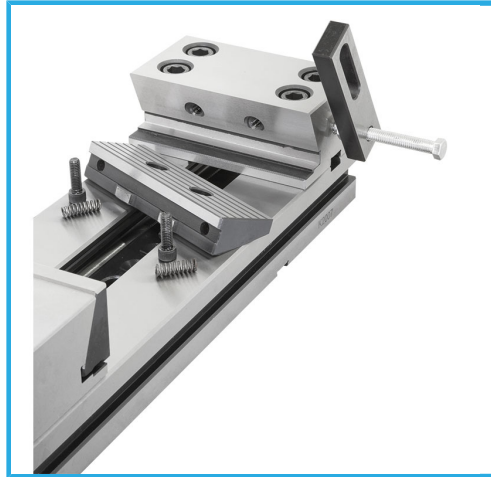
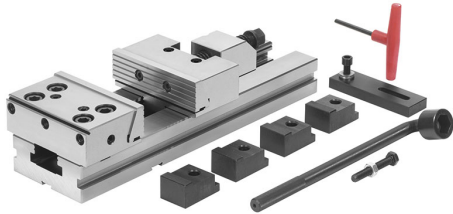


SUITABLE FOR JOBS WHERE PRECISION, RELIABILITY, AVAILABILITY AND SECURE LOCKING ARE REQUIRED. SUITABLE FOR PRECISION MILLING AND..



Jaw dimensions

	175 x 60h mm
S	175 mm
a	145 mm
B	58 mm
C	20 mm
H	118 mm
L1	655 mm
L2	96,9 mm
L3	25,6 mm
h	60 mm
K h7	16 mm
A	400 mm
Net weight	50 kg
Gross weight	55,50 kg
EAN Code	8012667253981



Wooden Box



Tempered



Grounded



Steel