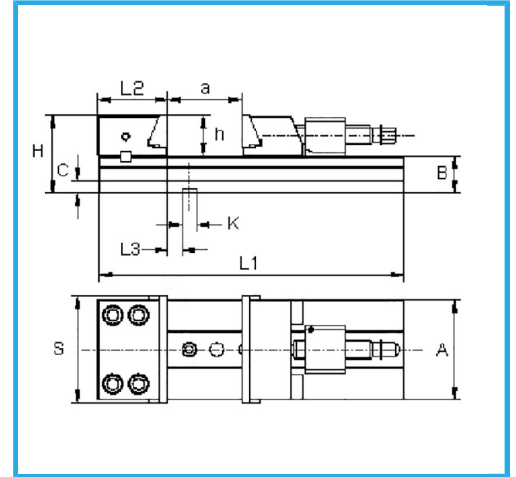
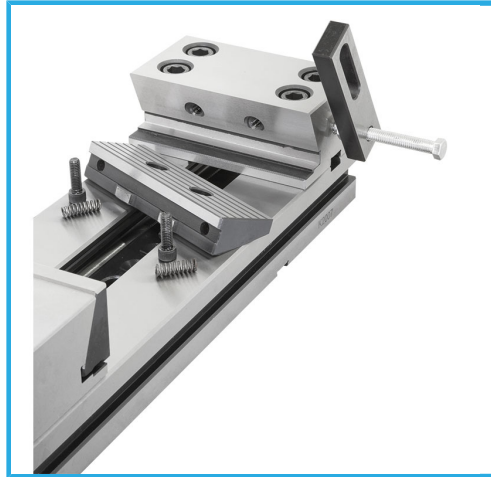
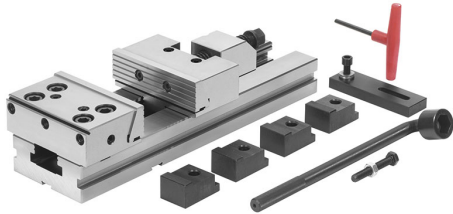


SUITABLE FOR JOBS WHERE PRECISION, RELIABILITY, AVAILABILITY AND SECURE LOCKING ARE REQUIRED. SUITABLE FOR PRECISION MILLING AND..



Jaw dimensions

S	200 mm
A	170 mm
B	70 mm
C	26 mm
H	135 mm
L1	695 mm
L2	113,4 mm
L3	25,6 mm
h	65 mm
K h7	16 mm
a	400 mm
Net weight	74 kg
Gross weight	82,50 kg
EAN Code	8012667254001



Wooden Box



Tempered



Grounded



Steel