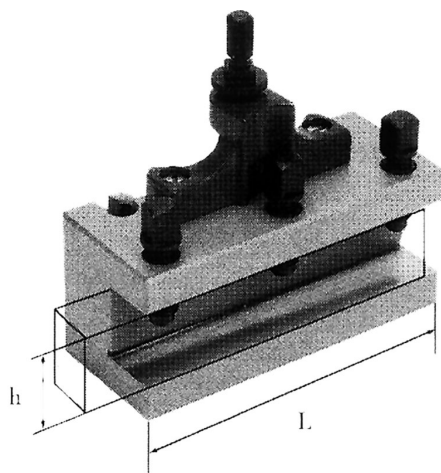


TYPE D EQUIPPED WITH SCREW FOR HEIGHT ADJUSTMENT AND 3 CLAMPING SCREWS.



<b>L</b>	150 mm
<b>h</b>	32 mm
<b>Gross weight</b>	3,16 kg
<b>EAN Code</b>	8012667183141



Box