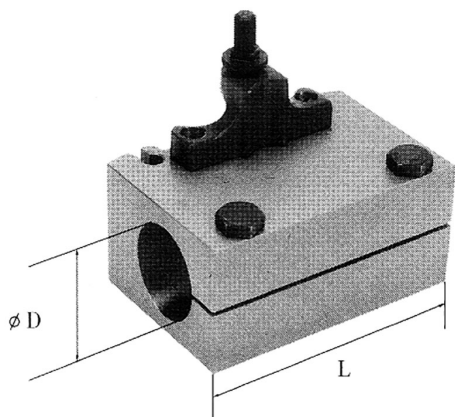


TYPE S, SUITABLE FOR HOUSING MORSE TAPER BUSHES COD. C40142, AND FOR THE DIRECT HOUSING OF TURNING BARS. EQUIPPED WITH...



L	150 mm
D	40 mm
Gross weight	3,77 kg
EAN Code	8012667191689



Box