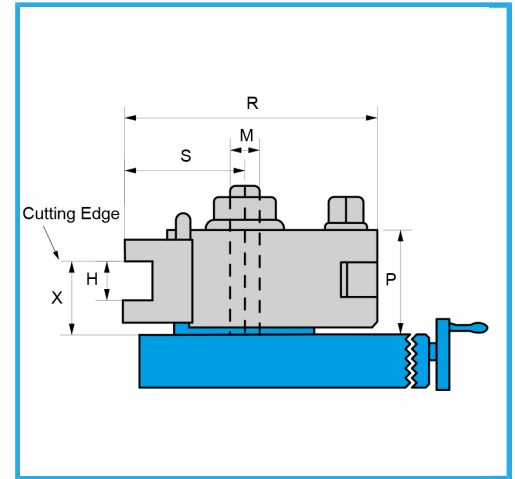


WITH HARDENED AND GROUND TOOTHING. BY ACTING ON AN ECCENTRIC PIN, THE TOOL HOLDER IS LOCKED ON THE TOOTHING OF THE BODY. IT...



|              |               |
|--------------|---------------|
| R max        | 125 mm        |
| S max        | 68 mm         |
| P            | 60 mm         |
| h            | 20 mm         |
| X min        | 35 mm         |
| Gross weight | 8,47 kg       |
| EAN Code     | 8012667179397 |



Box