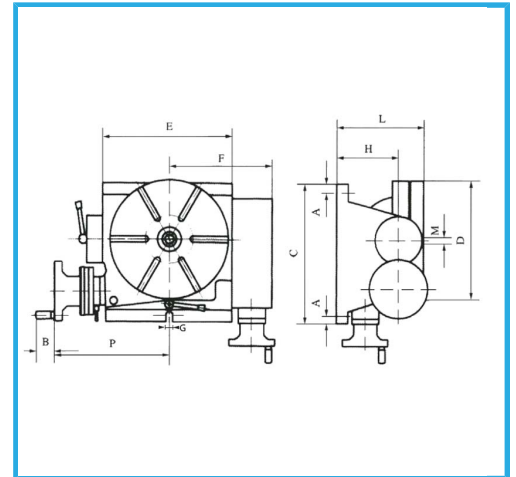


EQUIPPED WITH MICROMETRIC ADJUSTMENT AND OIL BATH GEARS.



A	16 mm
B	40 mm
C	380 mm
D	320 mm
E	322 mm
F	241 mm
G	18 mm
H	185 mm
L	257 mm
MT	4
Ratio	1:90
Slots	6/14 N° / mm
Hor. max load	250 kg
Ver. max load	125 kg
Net weight	133 kg
Gross weight	152,00 kg
EAN Code	8012667003081



Wooden Box