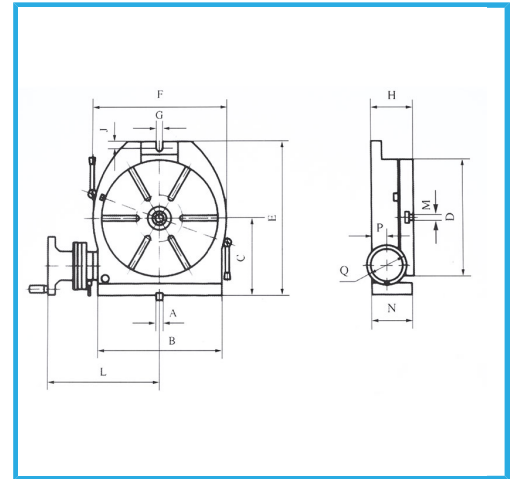
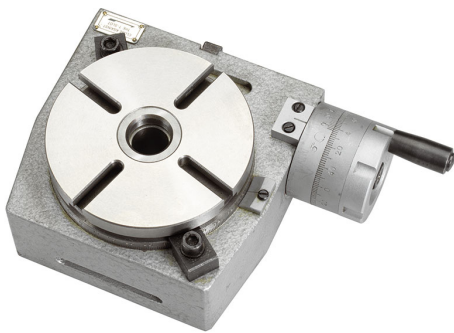


EQUIPPED WITH MICROMETRIC ADJUSTMENT AND OIL BATH GEARS.



A	10 mm
B	125 mm
C	70 mm
D	100 mm
E	125 mm
F	125 mm
G	/ mm
H	70 mm
J	0 mm
L	104 mm
N	48 mm
P	30 mm
Q	50 mm
MT	2
Ratio	1:72
Slots	4/6 N° / mm
Hor. max load	20 kg
Ver. max load	10 kg
Net weight	7 kg
Gross weight	7,73 kg
EAN Code	8012667213794



Wooden Box