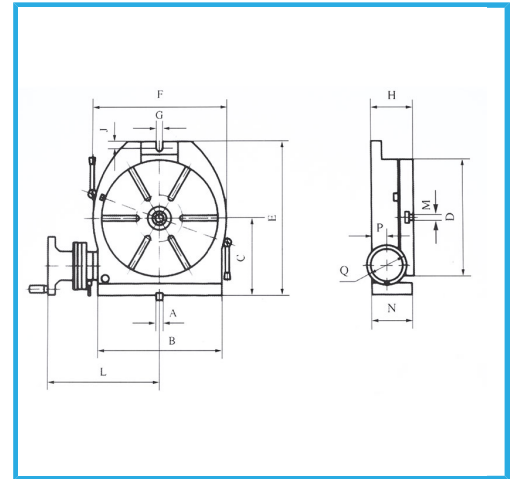
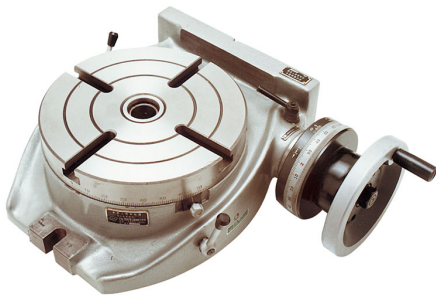


EQUIPPED WITH MICROMETRIC ADJUSTMENT AND OIL BATH GEARS.



<b>A</b>	18 mm
<b>B</b>	400 mm
<b>C</b>	260 mm
<b>D</b>	400 mm
<b>E</b>	525 mm
<b>F</b>	450 mm
<b>G</b>	18 mm
<b>H</b>	150 mm
<b>J</b>	16 mm
<b>L</b>	337 mm
<b>N</b>	145 mm
<b>P</b>	70 mm
<b>Q</b>	160 mm
<b>MT</b>	4
<b>Ratio</b>	1:90
<b>Slots</b>	6/14 N° / mm
<b>Hor. max load</b>	300 kg
<b>Ver. max load</b>	150 kg
<b>Net weight</b>	174 kg
<b>Gross weight</b>	174,00 kg
<b>EAN Code</b>	8012667180294



Wooden Box