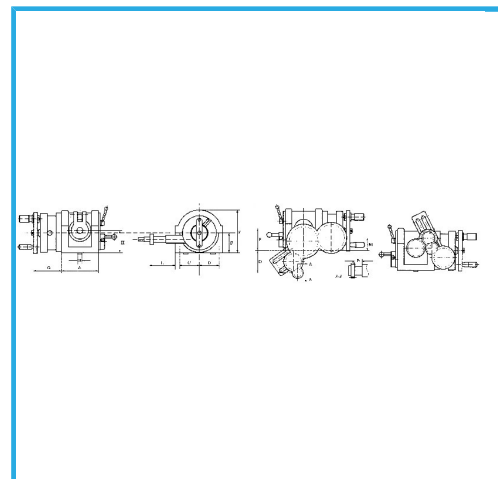
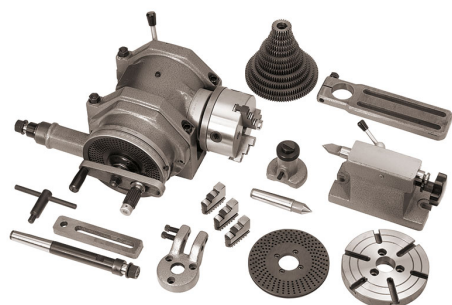


ART. D004/100L
UNIVERSAL DIVIDING HEAD WITH TAILSTOCK, CHUCK AND
DIVIDING PLATES



EQUIPPED WITH HARDENED AND GROUND WORM SCREW AND
 PRECISION TAPERED ROLLER BEARINGS. ALLOWS THE OPERATOR TO
 PERFORM EXACTLY...



A	162 mm
B	14 mm
C	102 mm
D	87 mm
E	186 mm
F	95 mm
G	116 mm
H	100 mm
L	93 mm
MT	3
N	30 mm
P	100 mm
Chuck sizes	Ø 125 mm
Ratio	1:40
Capacity	100 kg
Plates holes	24 - 25 - 28 - 30 - 34 - 37 - 38 - 39 - 41 - 42 - 43 - 46 - 47 - 49 - 51 - 53 - 54 - 57 - 58 - 59 - 62 - 66
Net weight	67 kg
Gross weight	78,00 kg
EAN Code	8012667242824



Wooden Box