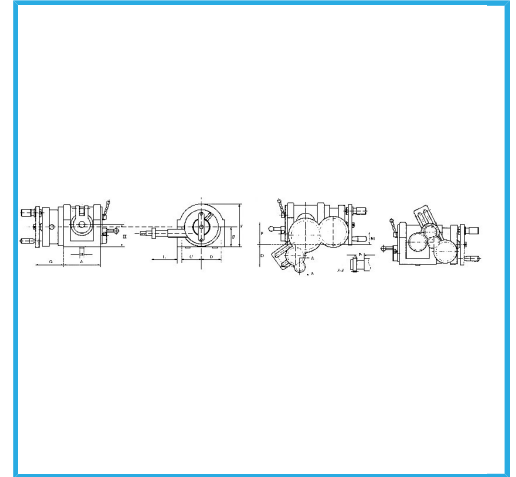
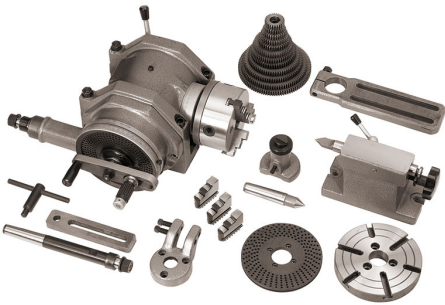


# ART. D004/125L

UNIVERSAL DIVIDING HEAD WITH TAILSTOCK, CHUCK AND DIVIDING PLATES



EQUIPPED WITH HARDENED AND GROUND WORM SCREW AND PRECISION TAPERED ROLLER BEARINGS. ALLOWS THE OPERATOR TO PERFORM EXACTLY...



A	209 mm
B	18 mm
C	116 mm
D	98 mm
E	224 mm
F	117 mm
G	120 mm
H	125 mm
L	103 mm
MT	4
N	34,5 mm
P	100 mm
Chuck sizes	Ø 160 mm
Ratio	1:40
Capacity	130 kg
Plates holes	24 - 25 - 28 - 30 - 34 - 37 - 38 - 39 - 41 - 42 - 43 - 46 - 47 - 49 - 51 - 53 - 54 - 57 - 58 - 59 - 62 - 66
Net weight	119 kg
Gross weight	125,00 kg
EAN Code	8012667242831



Wooden Box