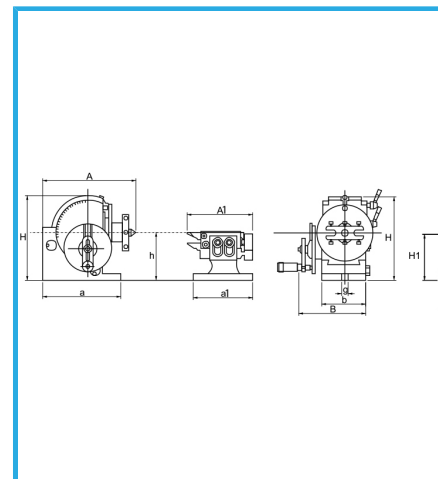


ART. D006/128
SEMI UNIVERSAL DIVIDING HEAD WITH TAILSTOCK AND DIVIDING PLATES



CHUCK NOT INCLUDED, EQUIPPED WITH HARDENED AND GROUND WORM SCREW AND PRECISION TAPERED ROLLER BEARINGS. ALLOWS THE OPERATOR TO...



A	242 mm
B	168 mm
H	220 mm
h	128 mm
a	206 mm
b	113 mm
g	16 mm
A1	183 mm
B1	87 mm
H1	137 mm
h1	128 mm
a1	158 mm
b1	110 mm
Suitable chuck	Ø160 mm
g1	16 mm
Hole	ø 20 mm
MT	3
Ratio	1:40
Head tilt left and right	-10° - 90°
Plates holes	15-16-17-18-19-20-21-23-27-29-31-33-37-39-41-43-47-49
Net weight	30 kg
Gross weight	33,50 kg
EAN Code	8012667188108



Box