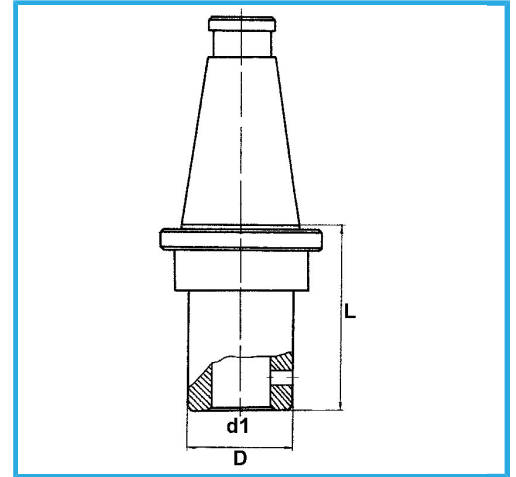


DIN 2080, BALANCED CHUCK BODY, FOR MILLING CUTTERS (WELDON)  
ACCORDING TO DIN 1835 B AND DIN 6535 HB. SUPPLIED WITH  
TIGHTENING...



|              |               |
|--------------|---------------|
| ISO          | 40            |
| d1 - h6      | 12 mm         |
| D            | 42 mm         |
| L            | 50 mm         |
| Gross weight | 1,14 kg       |
| EAN Code     | 8012667195922 |



Box



Grounded



18Ni  
CrMo5

-