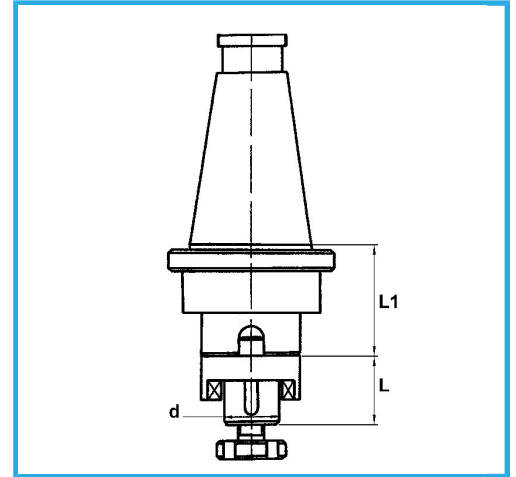


DIN 2080, BALANCED CHUCK BODY, FOR CYLINDRICAL END MILLS  
ACCORDING TO DIN 481, FOR MILLING CUTTERS WITH LONGITUDINAL  
GROOVE DIN...



ISO	50
d - h6	40 mm
L	41 mm
L1	40 mm
Gross weight	5,20 kg
EAN Code	8012667008369



Box



Grounded



18Ni  
CrMo5

-