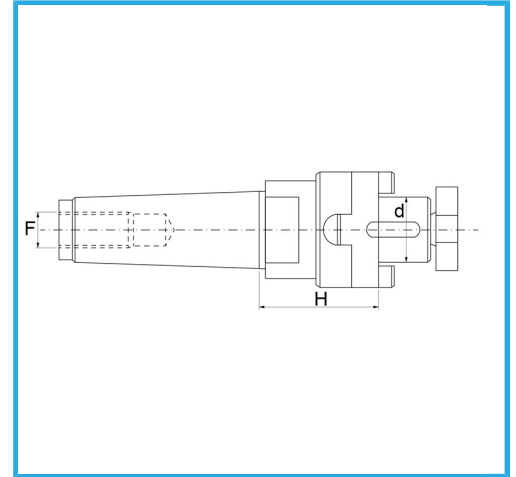


DIN 228/A FOR CYLINDRICAL END MILLS ACCORDING TO DIN 481, FOR MILLING CUTTERS WITH LONGITUDINAL GROOVE DIN 1880 AND FOR INSERT...



<b>d - h6</b>	22 mm
<b>Spindle taper</b>	4
<b>F</b>	M 16
<b>H</b>	55 mm
<b>Gross weight</b>	1,30 kg
<b>EAN Code</b>	8012667179649



Box



Grounded



18Ni  
CrMo5

-