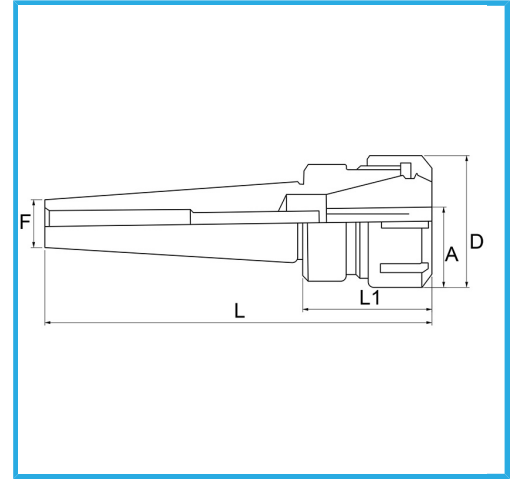


DIN 228/A, FOR MOUNTING TOOLS WITH CYLINDRICAL SHANK ON DIN 6499 (ER) COLLETS. SUPPLIED WITH LOCKING FERRULE.



Collets	ER 32
D	50 mm
L	146 mm
L1	60 mm
F	M 12
A	3 / 20 mm
Gross weight	0,63 kg
EAN Code	8012667140168



Box

18Ni
CrMo5



Grounded