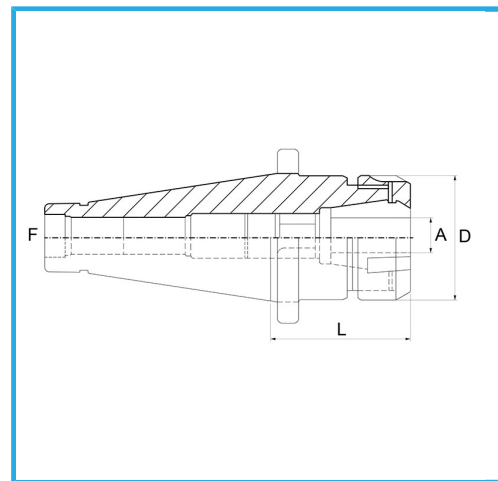


DIN 2080, FOR MOUNTING TOOLS WITH CYLINDRICAL SHANK ON DIN 6499 (ER) COLLETS. SUPPLIED WITH LOCKING FERRULE.



Collets	ER 32
A	3/20 mm
D	50 mm
L	65 mm
F	M 16
Balancing rpm	2000
Gross weight	1,17 kg
EAN Code	8012667140144



Box



Grounded



18Ni
CrMo5

-