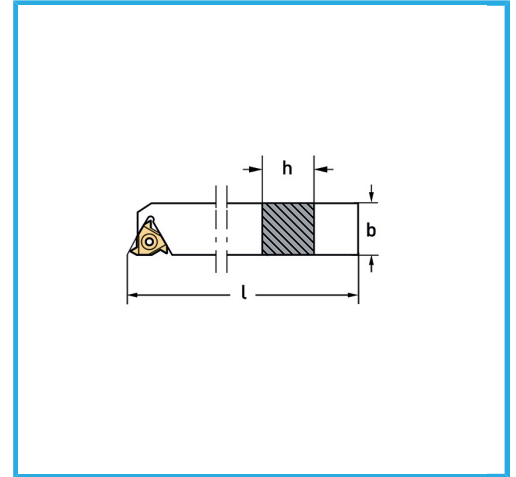
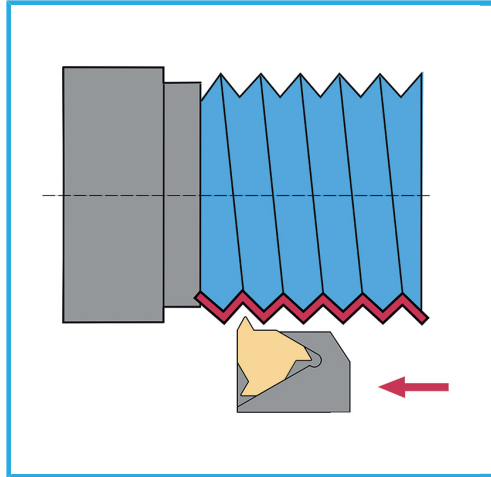


CONSISTING OF EXTERNAL THREADING TOOL (1 PC), M3.5 X 12MM  
SPARE SCREW (1 PC), 2.5MM HEX WRENCH (1 PC), T15 TORX  
WRENCH (1 PC)...



Ext. tool holder

Insert

Torx key

Screw

b

l

h

Gross weight

EAN Code

SER25

16ER...

T15

M3,5 x 12 mm

25 mm

25 mm

150 mm

1,19 kg

8012667260613



Satin



Nickel  
plated



External



15 Pcs



Carrying  
case