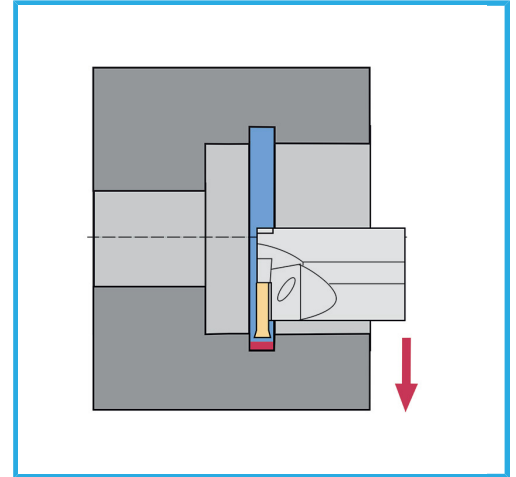
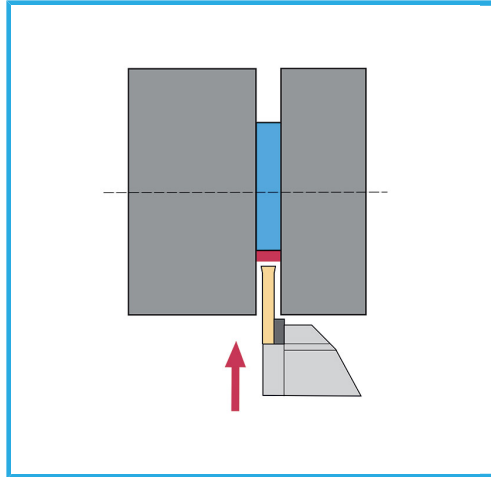


CONSISTING OF THE TOOL FOR EXTERNAL GROOVES: 20 X 20 MM (1 PC), THE TOOL FOR INTERNAL GROOVES: Ø 20MM (1 PC), SPARE SCREW...



Gross weight

1,29 kg

EAN Code

8012667256111



Satin



Nickel plated



External



16 Pcs



Carrying case