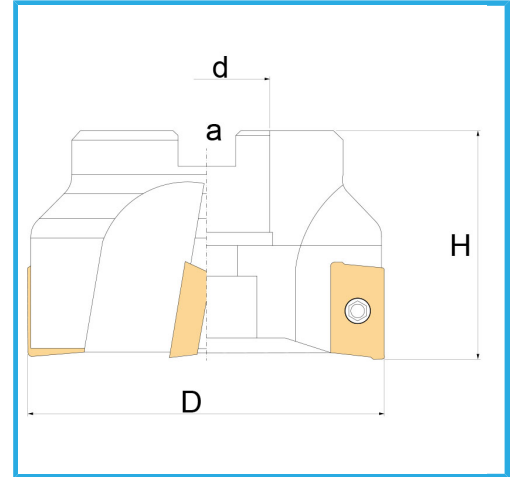
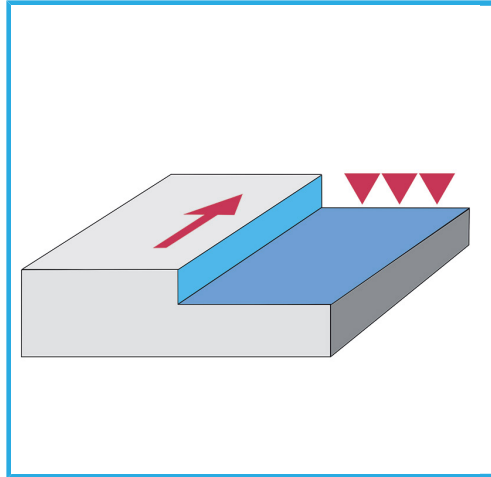


WITH SLEEVE CONNECTION, RECOMMENDED FOR USE ON MACHINES WITH MEDIUM POWER.



<b>D</b>	100 mm
<b>H</b>	50 mm
<b>a</b>	14,4 mm
<b>d</b>	32 mm
<b>Z</b>	8
<b>Screw</b>	KV400
<b>Insert (not included)</b>	ADLT1503...
<b>Gross weight</b>	1,55 kg
<b>EAN Code</b>	8012667253165



Box



Satin



Nickel  
plated



Internal