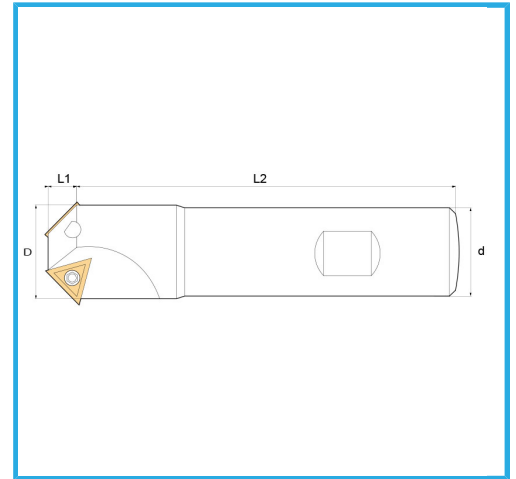
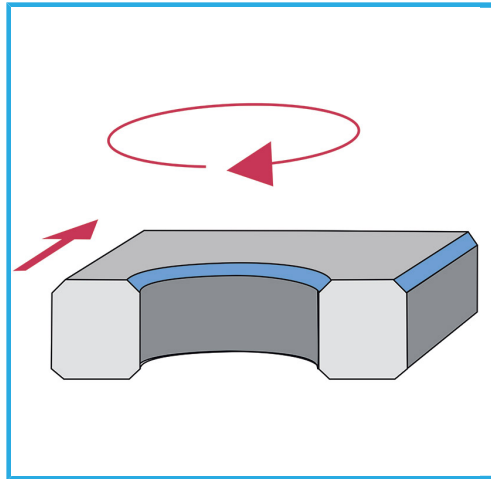
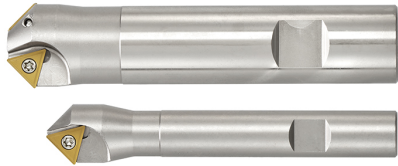


WITH CYLINDRICAL SHANK, FOR DEBURRING OF HOLES, SLOTS AND POCKETS, FOR MILLING PLATE EDGES.



D	16 / 22 mm
d	12 / 20 mm
L1	7 mm
L2	90 / 100 mm
Z	1 / 2
Screw	KV250
Insert (not included)	TCMT1102
Gross weight	0,33 kg
EAN Code	8012667179557



Box



Satin



Nickel
plated



External