
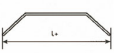
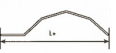
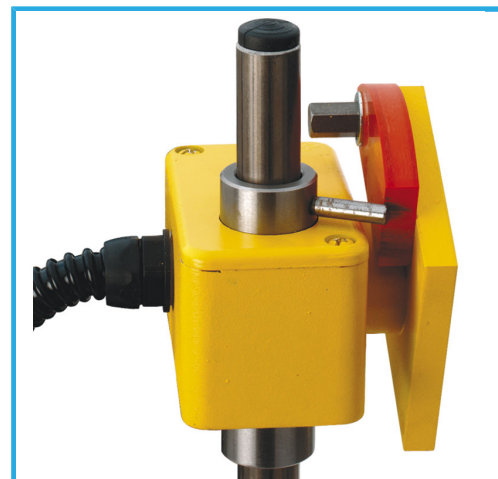


ADJUSTABLE AND TILTING HEIGHT, LEXAN SCREEN, SAFETY  
MICROSWITCH.



STELO	L	L	L
mm.	400	500	600
SCHERMO	H x L	H x L	H x L
mm.	150 x 300	150 x 400	200 x 400
FORMA SCHERMO			



Shaft length

600L mm

Shield

200 x 500 H x L mm

Gross weight

2,36 kg

EAN Code

8012667182922

