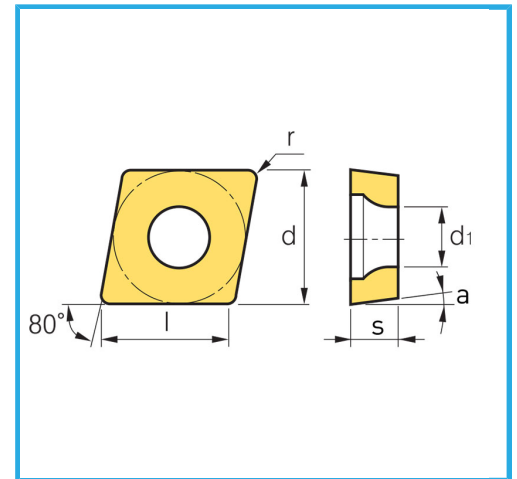
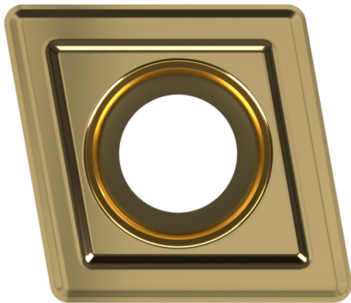


POSITIVE.



| | |
|--------------|---------------|
| Dimension | 6 mm |
| d | 6.35 mm |
| l | 6.30 mm |
| s | 2.38 mm |
| r | 0.40 mm |
| d1 | 2.80 mm |
| a° | 7° |
| Pack | 10 |
| Gross weight | 0,00 kg |
| EAN Code | 8012667011208 |



Box

