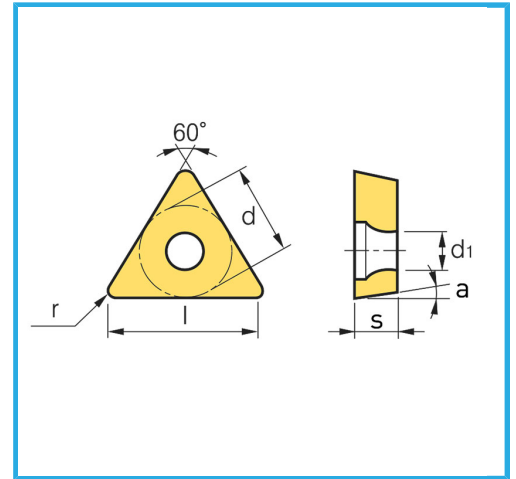
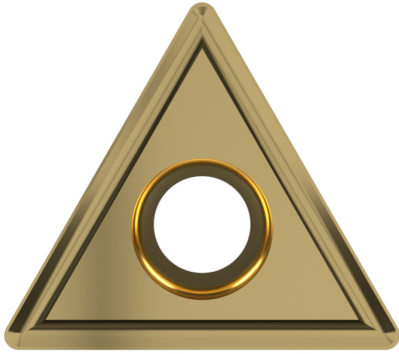


POSITIVE.



**Dimensions**

|                     |               |
|---------------------|---------------|
| d                   | 3.40 mm       |
| l                   | 9.63 mm       |
| s                   | 2.38 mm       |
| r                   | 0.40 mm       |
| d1                  | 2.50 mm       |
| a°                  | 7°            |
| <b>Pack</b>         | 10            |
| <b>Gross weight</b> | 0,02 kg       |
| <b>EAN Code</b>     | 8012667234317 |



Box

