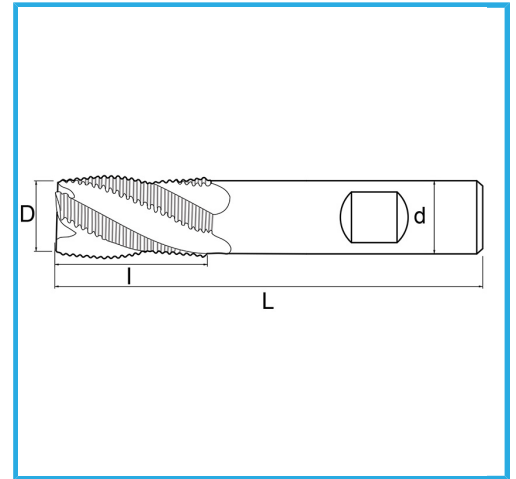


REGULAR LENGTH WELDON SHANK CENTER CUTTING.



D	25 mm
d	25 mm
l	45 mm
Z	4
L	121 mm
Gross weight	0,42 kg
EAN Code	8012667217372



Box



External



844/B



HSS

-



TIN

-