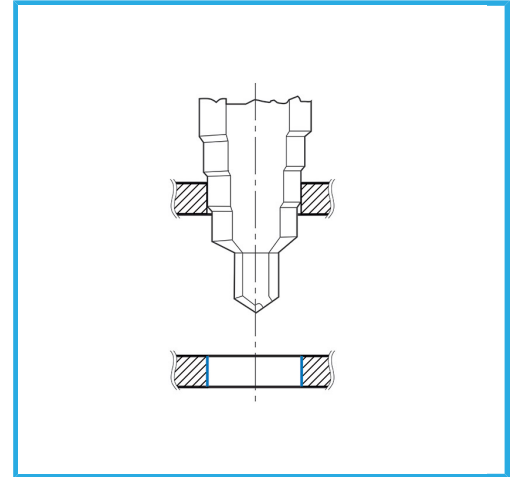
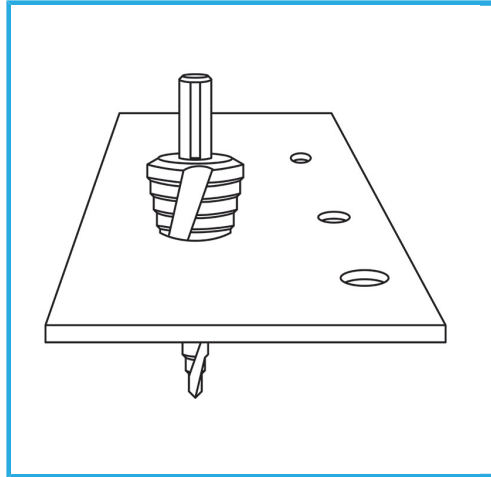


FOR CREATING AND ENLARGING HOLES IN SHEET METAL, WITH INTERCHANGEABLE POINT.



Stem 10 mm
∅ 2,5 - 32
(2,5-6,3-11,2-14,5-18,2-22,3-27,9-32) mm
Gross weight 0,15 kg
EAN Code 8012667189846



Box

HSS

TiN