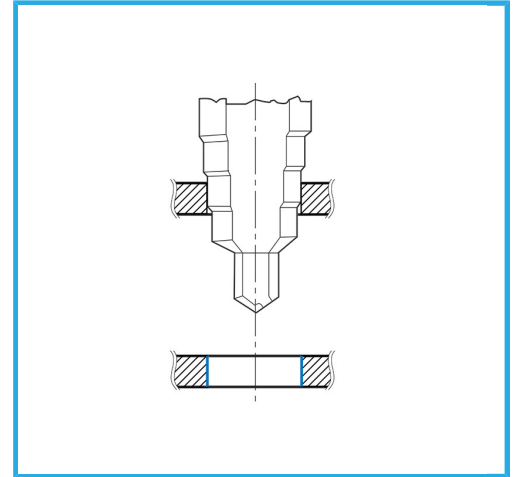
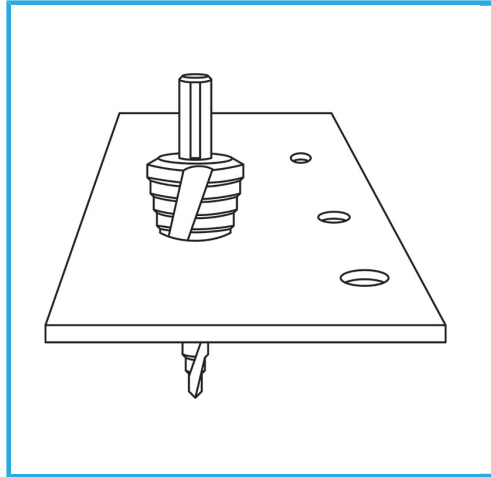


FOR CREATING AND ENLARGING HOLES IN SHEET METAL, WITH INTERCHANGEABLE POINT.



Stem 10 mm
∅ 2,5 - 38
(2,5-6,3-13-16-19-21-23-26-29-32-35-38)
mm
Gross weight 0,26 kg
EAN Code 8012667189853



Box

HSS -



-