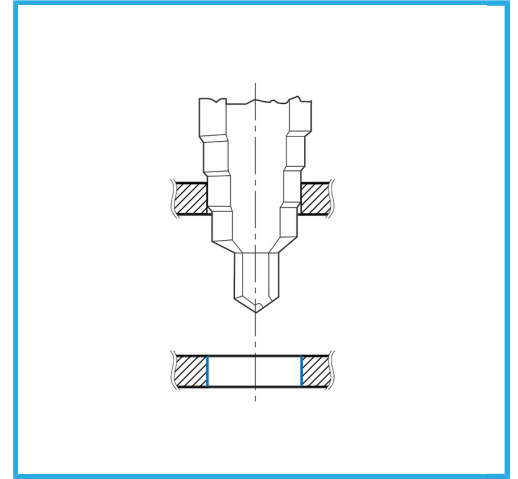
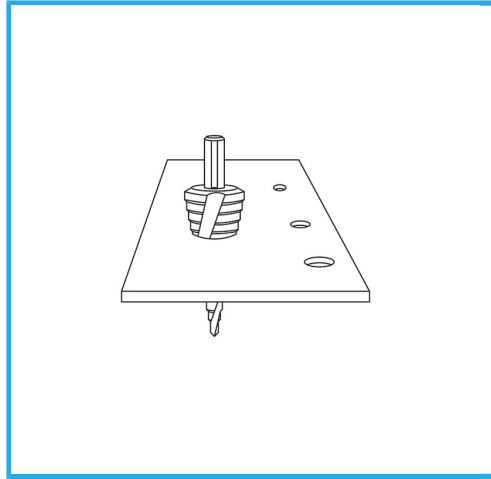


FOR CREATING AND ENLARGING HOLES IN SHEET METAL.



**Stem**

6 - 8 - 10 mm

**∅**

4 - 12 - 6 - 20 - 6 - 30 mm

**Gross weight**

0,36 kg

**EAN Code**

8012667253622



Hangable



**HSS**

-



**TiN**

-



3 Pcs