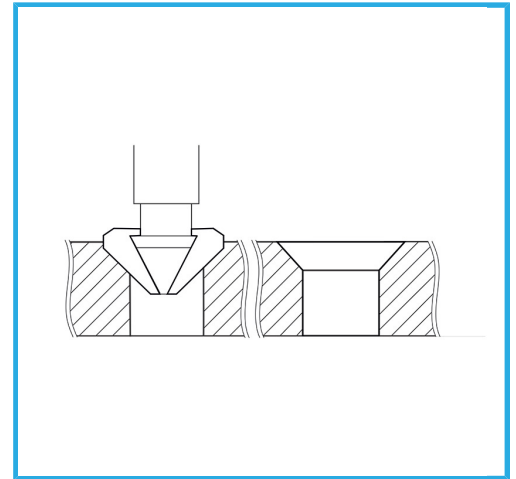
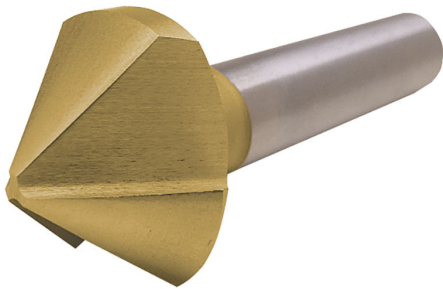


WITH GROUND EDGES AND GROOVES MACHINED FROM SOLID, TO PERFORM CONICAL COUNTERSINKS WITHOUT VIBRATIONS.



<b>Ø max</b>	31 mm
<b>Screws M</b>	16
<b>Shank</b>	Ø 12 mm
<b>Gross weight</b>	0,12 kg
<b>EAN Code</b>	8012667142261



Box

**HSS**

-



**TiN**

-



90°



External