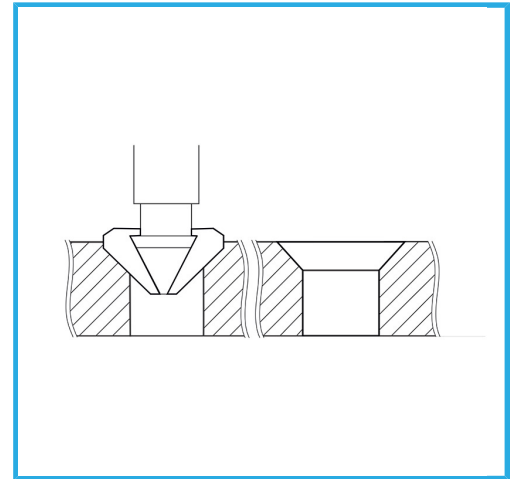


ART. S001
90° THREE FLUTES COUNTERSINK SET



WITH GROUND EDGES AND GROOVES MACHINED FROM SOLID, TO PERFORM CONICAL COUNTERSINKS WITHOUT VIBRATIONS.



Ø max

6 - 8 - 10 - 12,4 - 16,5 - 20,5 mm

Gross weight

0,48 kg

EAN Code

8012667183257



Hangable



90°



External



6 Pcs



335C



HSS



TIN

-