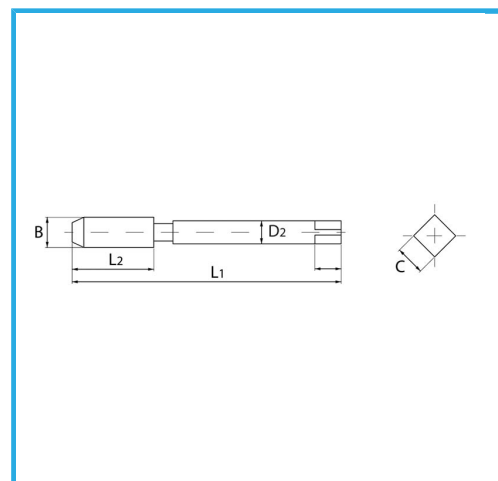
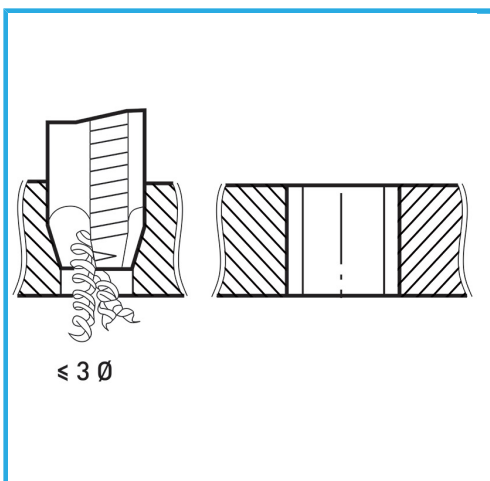


ART. M002/12
MACHINE TAPS STRAIGHT FLUTE SPIRAL POINTED FOR
THROUGH HOLES



ISOMETRIC THREAD COARSE PITCH.



B	M12 x 1,75 mm
L2	29 mm
L1	110 mm
D2	9 mm
C	7 mm
Gross weight	0,06 kg
EAN Code	8012667141615



Box



HSS-G



HV=750



External



376/B