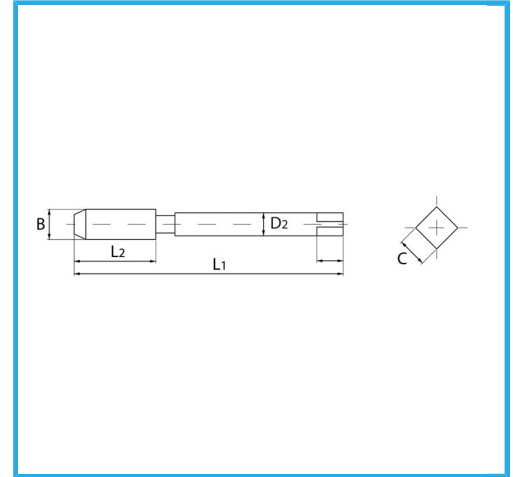
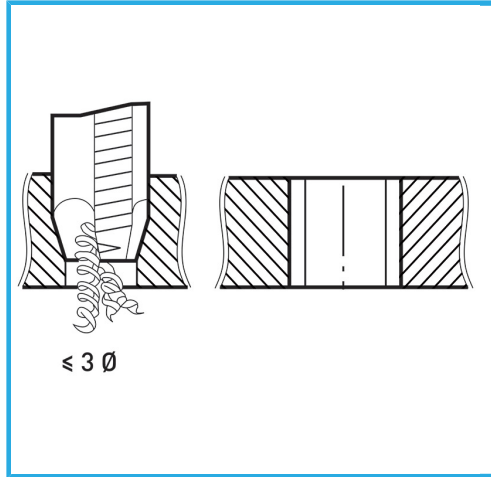


ART. M002/12V

MACHINE TAPS STRAIGHT FLUTE SPIRAL POINTED FOR THROUGH HOLES



ISOMETRIC THREAD COARSE PITCH. THE VAPORIZATION TREATMENT INCREASES THE SURFACE HARDNESS AND WEAR RESISTANCE BY REDUCING THE...



B	M12 x 1,75 mm
L2	29 mm
L1	110 mm
D2	9 mm
C	7 mm
Gross weight	0,06 kg
EAN Code	8012667257408



Box



Vaporized



HV=750



External



376/B



-