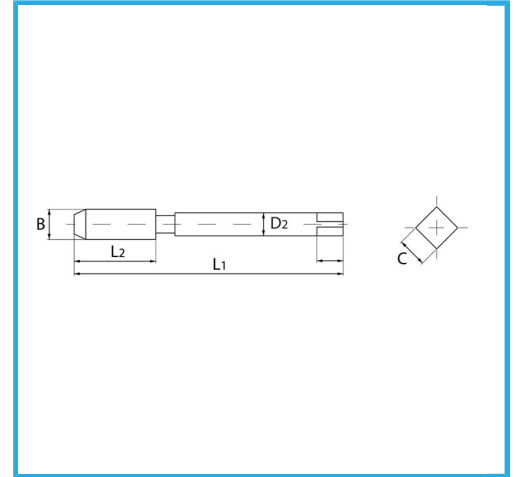
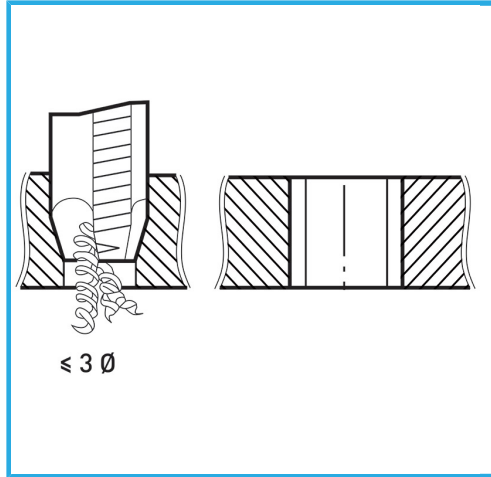


ART. M002/14
MACHINE TAPS STRAIGHT FLUTE SPIRAL POINTED FOR
THROUGH HOLES



ISOMETRIC THREAD COARSE PITCH.



B	M14 x 2 mm
L2	30 mm
L1	110 mm
D2	11 mm
C	9 mm
Gross weight	0,08 kg
EAN Code	8012667141622



Box



HSS-G



HV=750



External



376/B