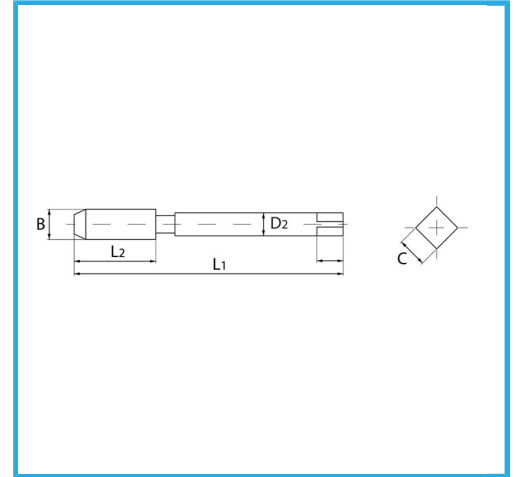
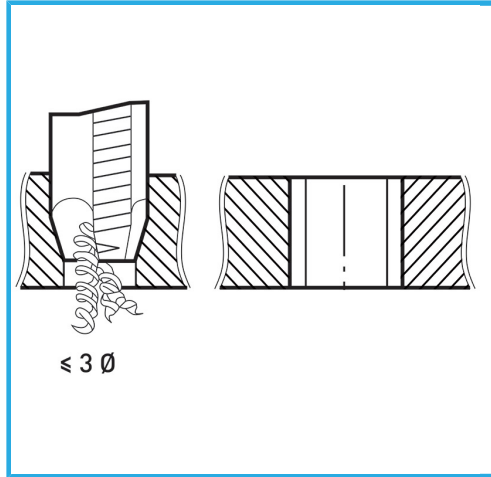


ART. M002/16
MACHINE TAPS STRAIGHT FLUTE SPIRAL POINTED FOR
THROUGH HOLES



ISOMETRIC THREAD COARSE PITCH.



| | |
|--------------|---------------|
| B | M16 x 2 mm |
| L2 | 32 mm |
| L1 | 110 mm |
| D2 | 12 mm |
| C | 9 mm |
| Gross weight | 0,10 kg |
| EAN Code | 8012667141639 |



Box



HSS-G



HV=750



External



376/B