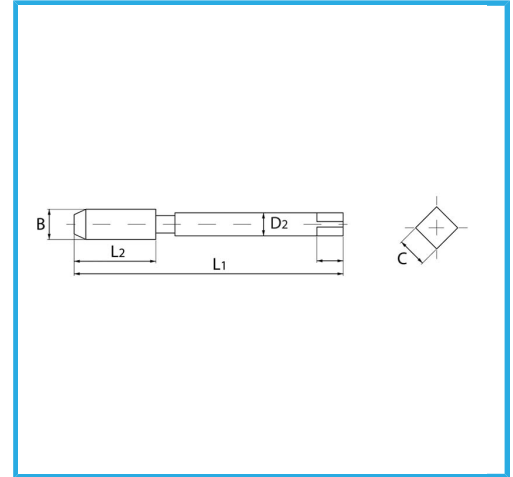
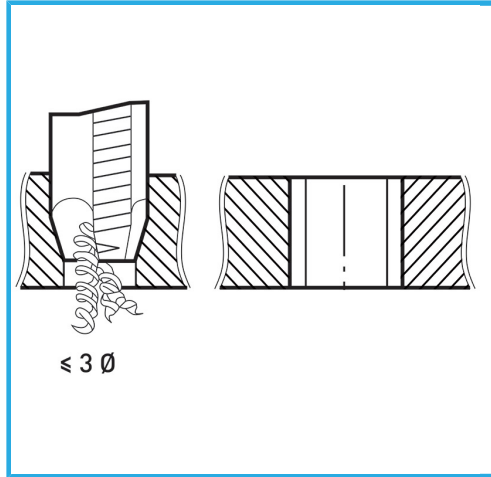


**ART. M002/18**  
MACHINE TAPS STRAIGHT FLUTE SPIRAL POINTED FOR  
THROUGH HOLES



ISOMETRIC THREAD COARSE PITCH.



B	M18 x 2,5 mm
L2	34 mm
L1	125 mm
D2	14 mm
C	11 mm
Gross weight	0,17 kg
EAN Code	8012667141646



Box



HSS-G



HV=750



External



376/B