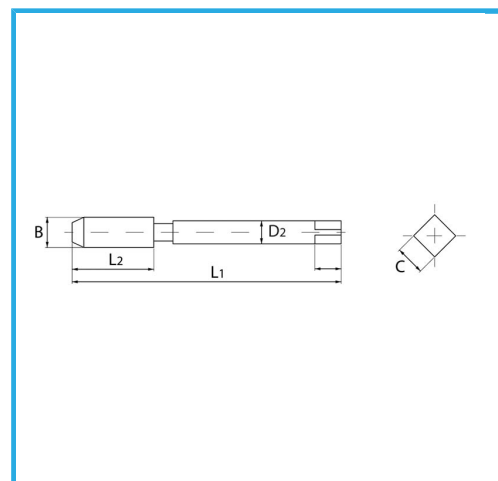
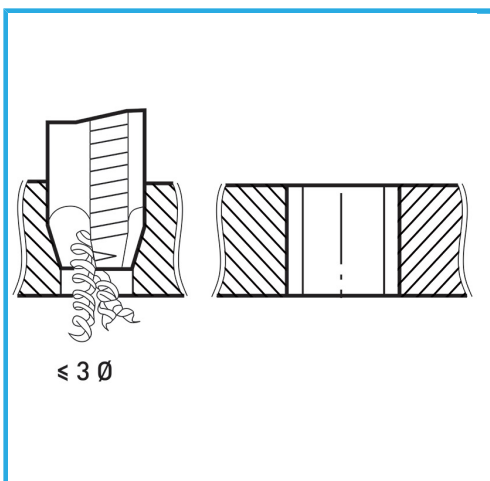


ART. M002/20
MACHINE TAPS STRAIGHT FLUTE SPIRAL POINTED FOR
THROUGH HOLES



ISOMETRIC THREAD COARSE PITCH.



B	M20 x 2,5 mm
L2	34 mm
L1	140 mm
D2	16 mm
C	12 mm
Gross weight	0,24 kg
EAN Code	8012667141653



Box



HSS-G

-



HV=750



External



376/B