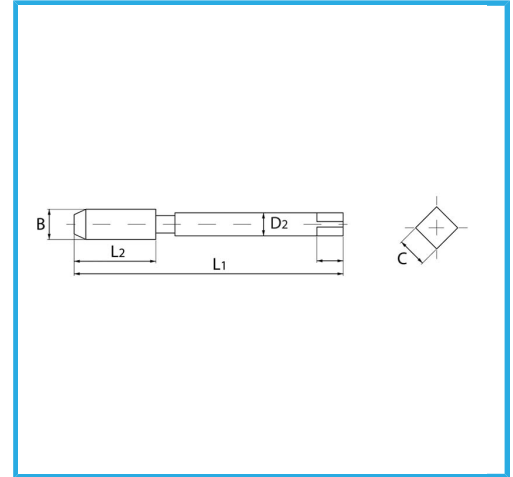
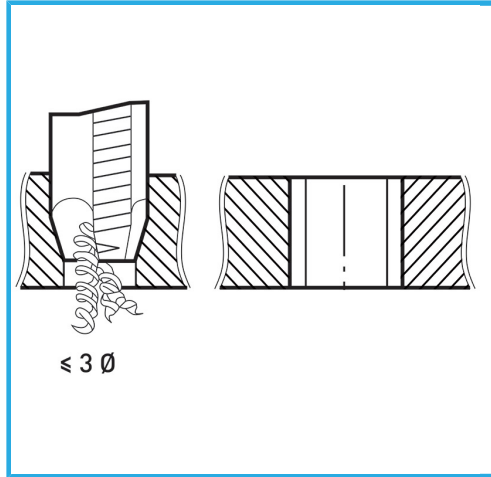


**ART. M002/24**  
MACHINE TAPS STRAIGHT FLUTE SPIRAL POINTED FOR  
THROUGH HOLES



ISOMETRIC THREAD COARSE PITCH.



B	M24 x 3 mm
L2	38 mm
L1	160 mm
D2	18 mm
C	14.5 mm
Gross weight	0,05 kg
EAN Code	8012667183455



Box



HSS-G



HV=750



External



376/B