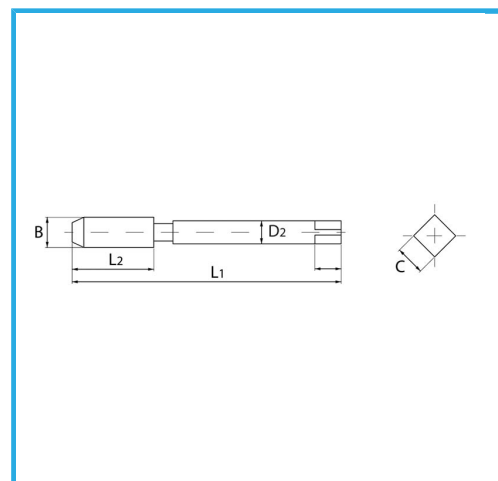
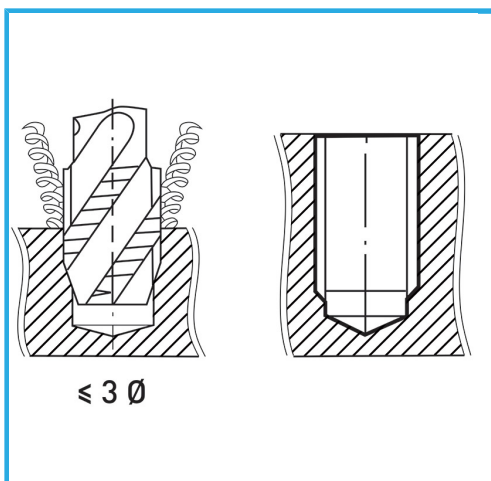


ISOMETRIC THREAD COARSE PITCH - REINFORCED SHANK, THE VAPORIZATION TREATMENT INCREASES THE SURFACE HARDNESS AND WEAR RESISTANCE...



B	M3 x 0,50 mm
L2	11 mm
L1	56 mm
D2	3.5 mm
C	2.7 mm
Gross weight	0,01 kg
EAN Code	8012667257224



Box



HSS-G

-



Vaporized



HV=750



External



371/C