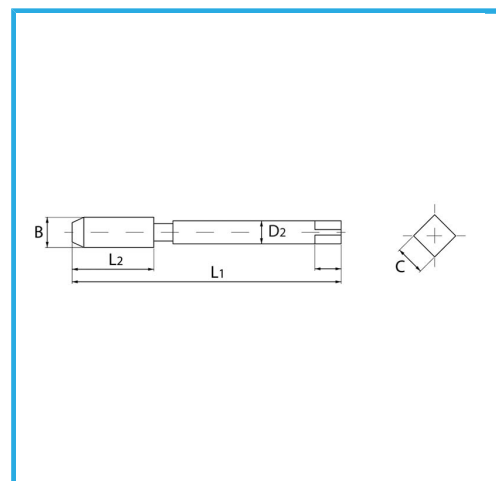
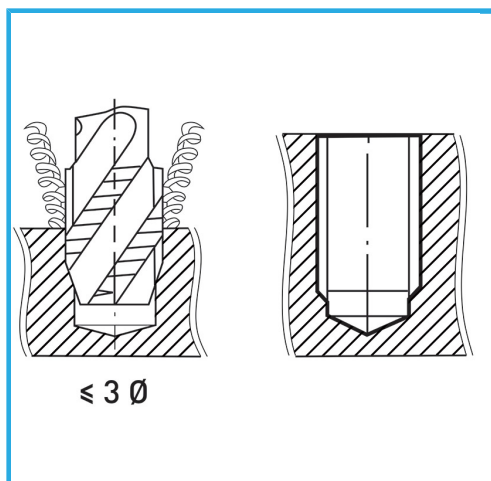


ISOMETRIC THREAD COARSE PITCH - REINFORCED SHANK, THE VAPORIZATION TREATMENT INCREASES THE SURFACE HARDNESS AND WEAR RESISTANCE...



<b>B</b>	M5 x 0,80 mm
<b>L2</b>	16 mm
<b>L1</b>	75 mm
<b>D2</b>	6 mm
<b>C</b>	4.9 mm
<b>Gross weight</b>	0,01 kg
<b>EAN Code</b>	8012667261375



Box



HSS-G

-



Vaporized



HV=750



External



371/C