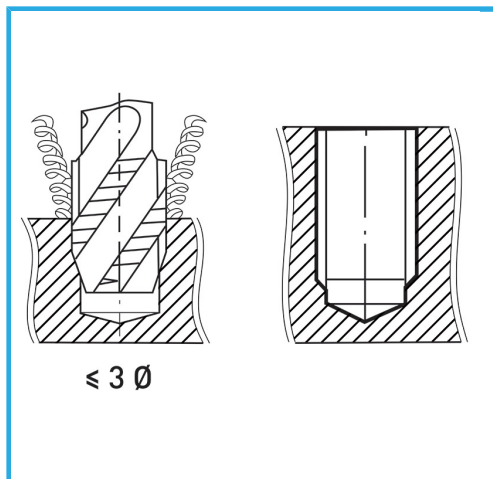


ISOMETRIC THREAD COARSE PITCH. THE VAPORIZATION TREATMENT INCREASES THE SURFACE HARDNESS AND WEAR RESISTANCE BY REDUCING THE...



<b>B</b>	M12 x 1,75 mm
<b>L2</b>	29 mm
<b>L1</b>	110 mm
<b>D2</b>	9 mm
<b>C</b>	7 mm
<b>Gross weight</b>	0,06 kg
<b>EAN Code</b>	8012667257286



Box



HSS-G



Vaporized



HV=750



External



376/C