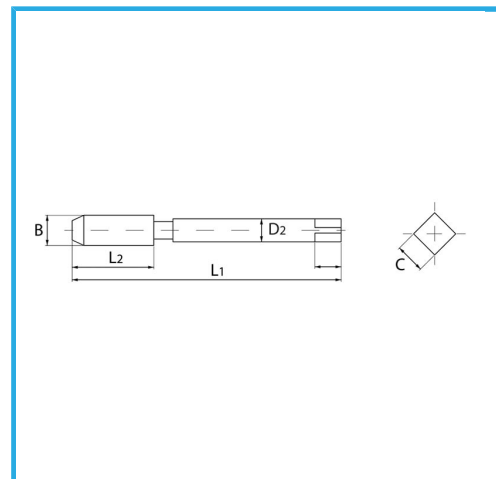
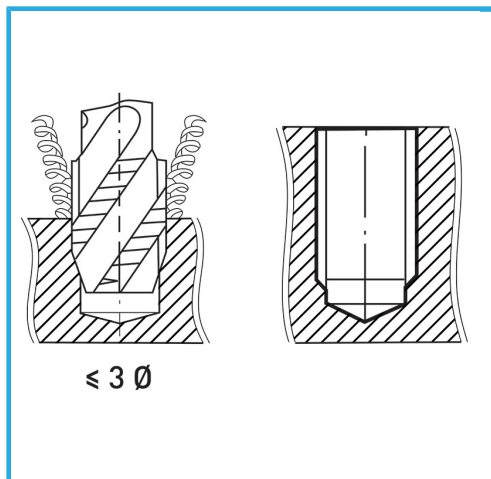


ISOMETRIC THREAD COARSE PITCH. THE VAPORIZATION TREATMENT INCREASES THE SURFACE HARDNESS AND WEAR RESISTANCE BY REDUCING THE...



|              |               |
|--------------|---------------|
| B            | M14 x 2 mm    |
| L2           | 30 mm         |
| L1           | 110 mm        |
| D2           | 11 mm         |
| C            | 9 mm          |
| Gross weight | 0,08 kg       |
| EAN Code     | 8012667257293 |



Box



HSS-G

-



Vaporized



HV=750



External



376/C