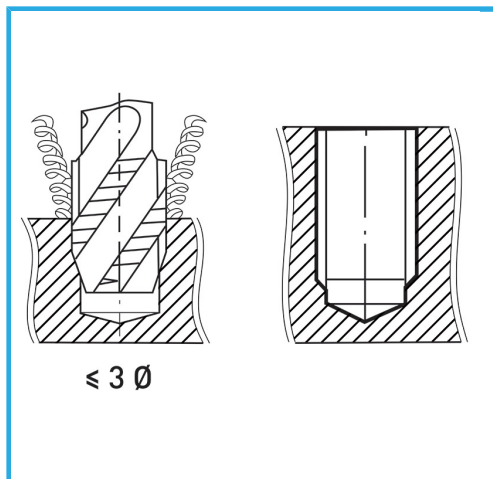


ISOMETRIC THREAD COARSE PITCH. THE VAPORIZATION TREATMENT INCREASES THE SURFACE HARDNESS AND WEAR RESISTANCE BY REDUCING THE...



B	M18 x 2,5 mm
L2	34 mm
L1	125 mm
D2	14 mm
C	11 mm
Gross weight	0,16 kg
EAN Code	8012667257323



Box



HSS-G

-



Vaporized



HV=750



External



376/C