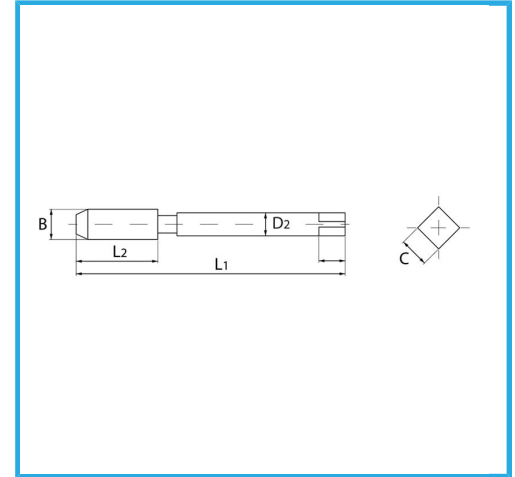
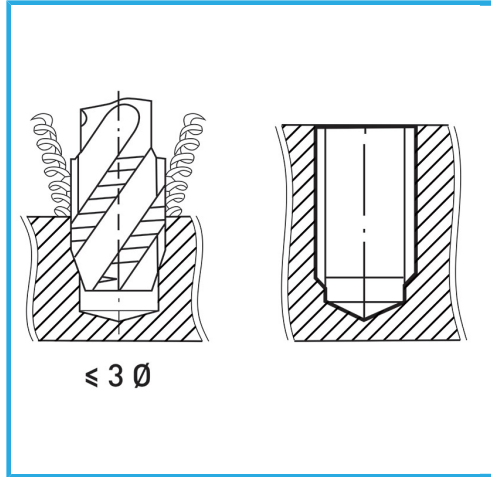


ISOMETRISCHES GEWINDE GROBE TEILUNG.



|                      |               |
|----------------------|---------------|
| <b>B</b>             | M24 x 3 mm    |
| <b>L2</b>            | 38 mm         |
| <b>L1</b>            | 160 mm        |
| <b>D2</b>            | 18 mm         |
| <b>C</b>             | 14.5 mm       |
| <b>Bruttogewicht</b> | 0,31 kg       |
| <b>EAN-Code</b>      | 8012667257194 |



Box



HV=750



Extern



376/C



HSS-G

-