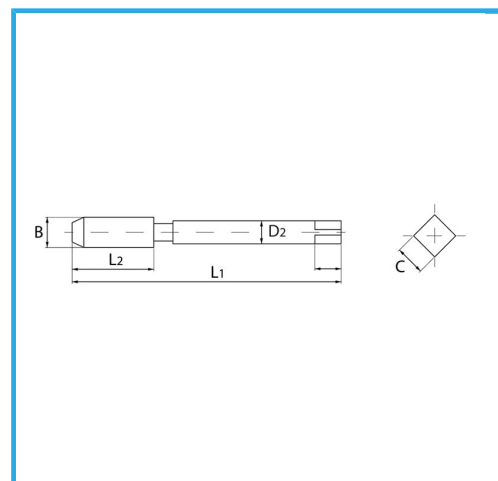
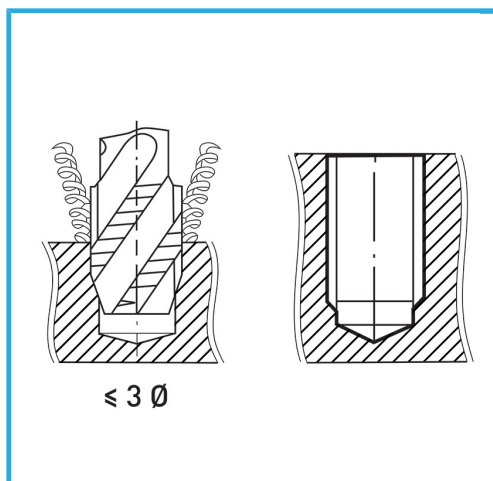


ISOMETRIC THREAD COARSE PITCH - REINFORCED SHANK.



B	M3 x 0,50 mm
L2	11 mm
L1	59 mm
D2	3.5 mm
C	2.7 mm
Gross weight	0,00 kg
EAN Code	8012667181475



Box



HSS-G



HV=750



External



371/C